

# **LITTLE WONDER®**

## **BRC-26 HYDRO 26" LITTLE WONDER BRUSH CUTTER**

### **MODELS:**

**5126-22-01 HONDA GX390**

(S/N 1150025621 and Above)

**5126-32-20 HONDA GX390 HD**

(S/N 1150025621 and Above)

**5126-21-03 B&S 12.5**



MAN 4169445  
Rev F 10-2017  
Original Language Instructions

**OPERATOR / PARTS MANUAL**

**CALIFORNIA**

**Proposition 65 Warning**

Diesel engine exhaust and some of its constituents are known to the State of California to cause cancer, birth defects and other reproductive harm.

**⚠ WARNING**

The engine exhaust from this product contains chemicals known to the State of California to cause cancer, birth defects or other reproductive harm.

**CALIFORNIA**

**Proposition 65 Warning**

Battery posts, terminals, wiring insulation, and related accessories contain lead and lead compounds, chemicals known to the State of California to cause cancer and birth defects or other reproductive harm.

**WASH HANDS AFTER HANDLING.**

# BRUSH CUTTER

## IMPORTANT MESSAGE

Thank you for purchasing this Schiller Grounds Care, Inc. product. You have purchased a world class product, one of the best designed and built anywhere.

This machine comes with an Operation and Safety Manual, Parts and Service Manual, and Engine Manual. The useful life and good service you receive from this machine depends to a large extent on how well you read and understand these manuals. Treat your machine properly, lubricate and adjust it as instructed, and it will give you many years of reliable service.

Your safe use of this Schiller Grounds Care, Inc. product is one of our prime design objectives. Many safety features are built in, but we also rely on your good sense and care to achieve accident-free operation. For best protection, study the manuals thoroughly. Learn the proper operation of all controls. Observe all safety precautions. Follow all instructions and warnings completely. Do not remove or defeat any safety features. Make sure those who operate this machine are as well informed and careful in its use as you are.

See a Schiller Grounds Care, Inc. dealer for any service or parts needed. Schiller Grounds Care, Inc. service ensures that you continue to receive the best results possible from Schiller Grounds Care, Inc. products. You can trust Schiller Grounds Care, Inc. replacement parts because they are manufactured with the same high precision and quality as the original parts.

Schiller Grounds Care, Inc. designs and builds its equipment to serve many years in a safe and productive manner. For longest life, use this machine only as directed in the manuals, keep it in good repair and follow safety warnings and instructions. You'll always be glad you did.

**Schiller Grounds Care, Inc.**  
**1028 Street Road**  
**Southampton, PA 18966-4217**  
**PHONE 877-596-6337 • FAX 215-357-8045**

<b>TABLE OF CONTENTS</b>	<b>FIGURES</b>	<b>PAGE</b>
SAFETY.....		4-8
LABELS.....		9-10
SET-UP INSTRUCTIONS / CONTROLS.....		11
OPERATION .....		12-13
MAINTENANCE .....		14-16
ADJUSTMENTS .....		17-19
BELT REPLACEMENT .....		20
STORAGE .....		21
TROUBLESHOOTING .....		22-23
SPECIFICATIONS / WARRANTY .....		24
PARTS SECTION.....		25
DRIVE ASSEMBLY.....	FIGURE 1 .....	26, 27
MAIN FRAME ASSEMBLY .....	FIGURE 2 .....	28, 29
CUTTERDECK ASSEMBLY .....	FIGURE 3 .....	30, 31
HANDLE ASSEMBLY .....	FIGURE 4 .....	32, 33



This Operator / Parts Manual is part of the machine. Suppliers of both new and second-hand machines must make sure that this manual is provided with the machine.

**NOTICE !!!**

Unauthorized modifications may present **extreme** safety hazards to operators and bystanders and could also result in product damage.

Schiller Grounds Care, Inc. strongly warns against, rejects and disclaims any modifications, add-on accessories or product alterations that are not designed, developed, tested and approved by Schiller Grounds Care, Inc. Engineering Department. Any Schiller Grounds Care, Inc. product that is altered, modified or changed in any manner not specifically authorized after original manufacture-including the addition of "after-market" accessories or component parts not specifically approved by Schiller Grounds Care, Inc. will result in the Schiller Grounds Care, Inc. Warranty being voided.

Any and all liability for personal injury and/or property damage caused by any unauthorized modifications, add-on accessories or products not approved by Schiller Grounds Care, Inc. will be considered the responsibility of the individual(s) or company designing and/or making such changes. Schiller Grounds Care, Inc. will vigorously pursue full indemnification and costs from any party responsible for such unauthorized post-manufacture modifications and/or accessories should personal injury and/or property damage result.



This symbol means:  
**ATTENTION!**  
**BECOME ALERT!**

Your safety and the safety of others is involved.

**Signal word definitions:**

The signal words below are used to identify levels of hazard seriousness. These words appear in this manual and on the safety labels attached to Schiller Grounds Care, Inc. machines. For your safety and the safety of others, read and follow the information given with these signal words and/or the symbol shown above.

**⚠ DANGER**

**DANGER** indicates an imminently hazardous situation which, if not avoided, **WILL** result in death or serious injury.

**⚠ WARNING**

**WARNING** indicates a potentially hazardous situation which, if not avoided, **COULD** result in death or serious injury.

**⚠ CAUTION**

**CAUTION** indicates a potentially hazardous situation which, if not avoided, **MAY** result in minor or moderate injury. It may also be used to alert against unsafe practices or property damage.

**CAUTION**

**CAUTION** used without the safety alert symbol indicates a potentially hazardous situation which, if not avoided, **MAY** result in property damage.

**Schiller Grounds Care, Inc.**

One Bobcot Lane  
Johnson Creek, WI 53038 U.S.A.  
Phone: 920-699-2000  
Fax: 920-699-3683

MODEL NUMBER

SERIAL NUMBER

**MODEL NUMBER:** This number appears on sales literature, technical manuals and price lists and serial tag.

**SERIAL NUMBER:** This number appears only on your unit. It contains the model number followed consecutively by the serial number. Use this number when ordering parts or seeking warranty information.

## OPERATOR PREPARATION AND TRAINING

### READ THE OPERATION & SAFETY MANUAL



- If an operator or mechanic cannot read English, it is the owner's responsibility to explain this material to them. If any portion of this material is unclear, contact your factory representative for clarification.
- Become familiar with the safe operation of the equipment, operator controls and safety signs. Be prepared to stop the engine quickly in an emergency. Do not operate or allow another person to operate this machine if there are any questions about safety.
- All operators and mechanics should be trained. The owner is responsible for training the users.
- Wear appropriate clothing, including safety goggles or safety glasses with side shields when operating. Wear substantial footwear and long pants. Do not operate barefoot or wearing open sandals. Long hair, loose clothing or jewelry may get tangled in moving parts.
- Wear appropriate hearing protection.
- Wear safety glasses.
- Never allow children, unskilled or improperly trained people to operate this equipment. Local regulations can restrict the age of the operator.
- Do not put hands or feet near or under rotating parts. Keep clear of the front deck opening at all times.
- Never pick up or carry the unit while the engine is running.
- Keep warning labels and this operator's manual legible and intact. Replacement labels and manuals are available from the factory.
- Do not operate machine while under the influence of drugs or alcohol, or any other condition of impairment.
- The owner/user can prevent and is responsible for accidents or injuries occurring to themselves, other people, or property.

### SITE PREPARATION AND CIRCUMSTANCES

- Evaluate the terrain to determine how to safely perform the job. Only use accessories and attachments approved by the manufacturer.

- Clear the area to be cut of objects such as rocks, toys, wire or any other debris that may be thrown or get tangled in the brush cutter.
- Be sure the area is clear of pets and people, especially young children. Never assume they will remain where you last saw them. Stop the machine if any enter the area.
- Only cut in daylight or in good artificial light.
- Keep in mind that the operator or user is responsible for accidents or hazards occurring to other people or their property.
- Do not cut wet grass as tires may lose traction.

### MULTIPLE OPERATORS

- Keep a safe distance between operators when working together.

### MACHINE PREPARATION

- Read engine manual.
- Check operator presence interlock system. Adjust or have any problems repaired before using.
- Damage to the engine can occur if there is no oil or oil level is low. Check the oil level and add oil per engine manual as necessary.
- Do not tamper with or defeat safety devices. Keep guards, shields and interlock safety devices in place and in proper working condition. They are for your protection.
- Keep all fasteners such as nuts, bolts, and pins well secured.
- Visually inspect blades, blade bolts and the cutter assembly for wear or damage. Replace worn or damaged blades and bolts to preserve balance.
- Verify that machine and attachments, if any, are in good operating condition.
- Do not engage blades until ready to mow.



### OPERATING SAFELY

#### IN GENERAL

- Use extra care when loading or unloading the machine into a trailer or truck.
- Use caution when making turns and crossing roads and sidewalks. Stop blade when not cutting.
- Never operate the mower without guards, plates, or other safety protective devices in place.
- Do not run the engine in an enclosed area where dangerous carbon monoxide fumes can collect.
- Never leave a machine unattended. Turn off blades, set parking brake, and stop engine before leaving the machine.
- Use extreme caution when reversing or pulling machine towards you.
- Never operate the equipment in wet grass. Always be sure of your footing; keep a firm hold on the handle and walk; never run.
- Stop operation if someone approaches.

#### STARTING

- Start according to instructions in this manual or on the machine.
- Before attempting to start the engine, make sure:
  - the parking brake is on;
  - the blade is disengaged;
  - the traction drive is in NEUTRAL
- When starting the engine, make sure hands and feet are clear of the blades.
- Do not engage Blade at full throttle. Throttle to idle or lowest possible engine speed.
- Do not change engine governor settings or overspeed the engine. Operating the engine at excessive speed can increase the hazard of personal injury.

#### ⚠ INTERRUPTING OPERATION

Before leaving the operator's position:

- Park on level ground.
  - Disengage blade.
  - Set the parking brake.
  - Shut off the engine and remove the key
- Disengage the blade, and wait until the blade stops rotating:
    - When not cutting.
    - When crossing surfaces other than grass.
  - Stop the engine, disengage the blade, set parking brake and wait until the blade stops rotating:
    - before refueling .
    - before making height adjustment unless the adjustment can be made from the operator's position.
  - Stop the engine, disengage the blade, set parking brake and disconnect the spark plug wire:
    - before clearing blockages or unclogging;
    - before checking, cleaning or working on the machine;
    - after striking a foreign object. Inspect the machine for damage and have repairs made as needed before restarting;
    - if the machine begins to vibrate abnormally: shut off machine immediately. Inspect and have repairs made as needed before restarting;
    - except for repairs or adjustments as specifically noted, such as for carburetor adjustment, where the engine must be running. Keep hands and feet clear of moving parts in these circumstances.
  - Allow the blade to come to a complete stop when stopping operation to clear blockages, unclog, inspect the machine, do maintenance or repair.
  - Reduce the throttle setting during engine shutdown and, if the engine is provided with a shutoff valve, turn the fuel off at the conclusion of mowing.

## OPERATING ON SLOPES

**USE EXTRA CARE WHEN OPERATING ON SLOPES. EVALUATE THE RISKS INVOLVED BEFORE OPERATING ON A SLOPE**

- Do not operate on slopes if uneasy or uncertain about the machine stability. Ultimate responsibility for safe operation on slopes rests with the operator.
- Be sure of your footing on slopes.
- With walk-behind machines, operate across slopes, not up and down.
- Avoid starting or stopping on a slope. If wheels lose traction, disengage the blades and proceed straight down the slope.
- Use lower speeds and exercise caution on slopes.
- Avoid sharp turns to prevent tipping and loss of control. Use extra caution when changing direction on slopes.
- Walk, never run.
- Be alert to dips and rises which change the general slope. Watch for holes, rocks, roots, and other hidden objects in the terrain. Keep away from dropoffs. Avoid ground conditions which will cause the machine to slide..

## MAINTENANCE SAFETY

### In general

- Maintain machine according to manufacturer's schedule and instructions for maximum safety and best results.
- Park machine on level ground.
- Never allow untrained personnel to service machine.
- Guards should only be removed by a qualified technician for maintenance or service. Replace when work is completed.
- Adjust or repair only after the engine has been stopped and the blade has stopped moving.
- Disconnect spark plug wire(s) before doing any maintenance.
- Replace parts if worn, damaged or faulty. For best results, always replace with parts recommended by the manufacturer.
- Do not dismantle the machine without releasing or restraining forces which may cause parts to move suddenly.
- Provide adequate support, e.g. jack stands for lifted machine or parts if working beneath.
- Do not put hands or feet near or under rotating parts.
- Clean up spilled oil or fuel thoroughly.
- Replace faulty mufflers.
- To reduce fire hazards, keep the engine, muffler, and fuel storage area free of grass, leaves, debris buildup or grease.
- Never attempt to make adjustments while the engine is running except for repairs or adjustments as specifically noted, such as for carburetor adjustment, where the engine must be running. Keep hands and feet clear of moving parts in these circumstances.



## Blades



- The blade is sharp and can cut. Use extra caution when handling. Remove obstructions with care. Wrap the blade or wear gloves.
- Only replace or sharpen blade. Never straighten or weld it.
- Keep other people away from the blade.



## Fuel



- Petrol (gasoline) is flammable; petrol (gasoline) vapors are explosive. Use extra care when handling.
- Store only in containers specifically designed for fuel.
- When refueling or checking fuel level:
  - Stop the engine and allow to cool;
  - Do not smoke;
  - Refuel outdoors only;
  - Use a funnel;
  - Do not overfill;
  - If fuel is spilled, do not attempt to start the engine until the spill is cleaned up and vapors have cleared.
  - Replace caps on fuel containers and tanks securely.



Sparks from static electricity can start fires or cause explosions. Flowing fuel can generate static electricity.

To prevent static electricity sparks:

- Keep containers electrically grounded. Do not fill containers in a vehicle or on a truck or trailer bed with a plastic liner. Fill containers on the ground away from the vehicle.
- When practical, remove petrol (gasoline) powered equipment from the truck or trailer and refuel it on the ground. If equipment must be refueled on the truck or trailer, refuel from a portable container rather than a dispenser nozzle.
- Keep the dispenser nozzle in contact with the rim of the fuel tank or container opening until fueling is complete. Do not use a nozzle lock-open device.
- If fuel is spilled on clothing change it immediately.

## STORAGE SAFETY

- Stop the engine and allow to cool before storing.
- Drain the fuel tank outdoors only.
- Store fuel in an approved container in a cool, dry place.
- Keep the machine and fuel containers in a locked storage place to prevent tampering and to keep children from playing with them.
- Do not store the fuel container or equipment with gasoline in the tank inside a building where fumes may reach an open flame or spark.
- Appliances such as furnaces and water heaters with a pilot light have an open flame.
- Keep petrol (gasoline) storage area free of grass, leaves and excessive grease to reduce fire hazard.
- Clean grass and debris from cutting units, drives, mufflers and engine to help prevent fires.
- Clean up any spilled gasoline or oil in the storage area.



# BRUSH CUTTER

## WARNING LABELS

Warning labels are an important part of the safety system incorporated in this machine.

Replace labels if damaged or illegible.

**⚠ WARNING**




**BEFORE STARTING:**

- Read and understand Operator manual and labels.
- Wear hearing and eye protection.
- Replace labels and Operator manual if lost or damaged.

**⚠ WARNING**

**AVOID SERIOUS INJURY OR DEATH:**

- Remove objects that could be thrown by the blade.
- Use extra caution on slopes.
- Stop blade and drive down slowly if machine slides or stops going on slope.
- Do not mow when children or others are around.
- Do not operate unless trained.
- Do not operate unless guards, shields and interlocks are in place and working.

**⚠ WARNING**

- Remove debris buildup. Debris under belt cover or near muffler can cause fires.
- the blade will continue to rotate for a few seconds after it is turned off.
- Blade must be at least 1/8" above bottom of housing.
- Check blade bolt daily for tightness.
- Inspect for damage after striking a foreign object. Make repairs before restarting operation.
- Find and repair cause of any abnormal vibration.

**⚠ ADVERTENCIA**

- Lea y entienda el manual del operador y las etiquetas.
- Píde que alguien lea y explique el manual y las etiquetas a usted si usted no lee Inglés.
- Use protección ocular y auditiva.
- No haga funcionar sin los protectores en su lugar.
- Mantenga las manos, pies y ropa alejados de las piezas móviles.
- Pare el motor antes de dar servicio.
- La gente a más durante la operación.

416628

**⚠ DANGER**

**ROTATING BLADES**





- KEEP HANDS AND FEET AWAY
- STOP ENGINE AND LET BLADES STOP BEFORE REMOVING GRASS COLLECTOR OR UNCLOGGING.

**⚠ WARNING**

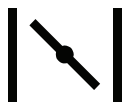




**THROWN OBJECTS**

- KEEP AREA CLEAR OF PEOPLE AND PETS.
- REMOVE OBJECTS BLADE MAY STRIKE AND THROW.
- STOP BLADES TO CROSS GRAVEL AREAS.
- DO NOT OPERATE WITHOUT CHUTE, MULCHER OR ENTIRE GRASS COLLECTOR IN PLACE.

4164269

4167525









4167573

P  
A  
R  
K

B  
R  
A  
K  
E

OFF

ON

4167548

**⚠ WARNING**



-ROTATING PARTS.  
-DO NOT OPERATE WITH COVER REMOVED.

2000577

**⚠ WARNING**



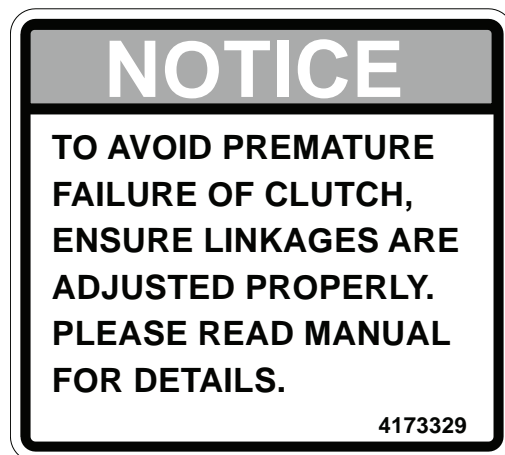
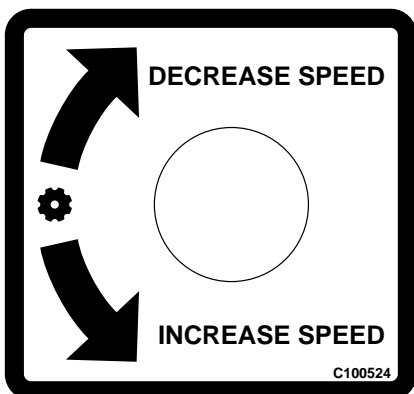
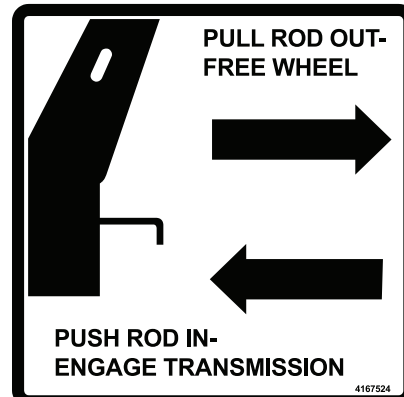
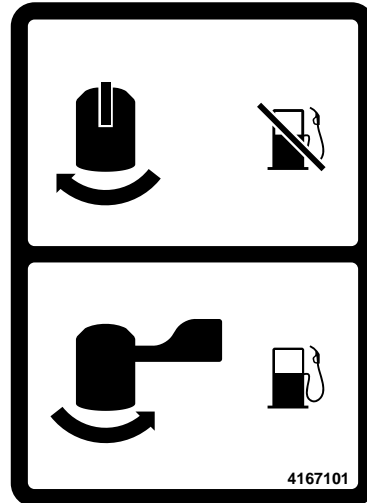
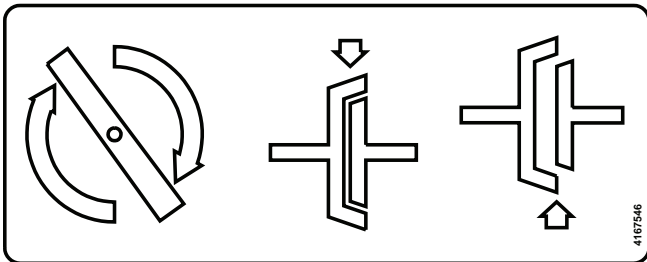
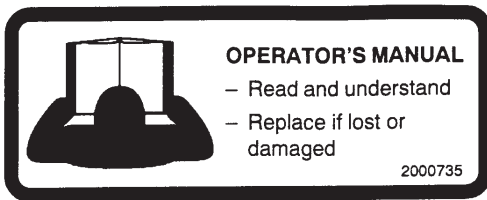
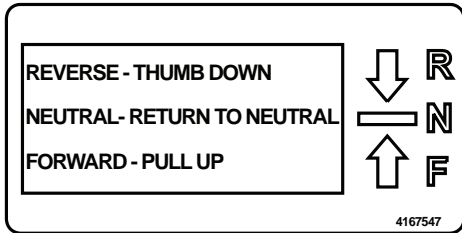
**TO CHECK OR ADD FUEL:**

- Do it outdoors.
- Stop engine. Allow to cool.
- Do not smoke.
- Clean up spilled fuel.
- Do not overfill.
- Fill to one inch below bottom of filler neck.

2000570

## WARNING LABELS

Warning labels are an important part of the safety system incorporated in this machine.  
Replace labels if damaged or illegible.



## SET-UP INSTRUCTIONS

1. Unpack the unit.
2. Pull the free-wheel rod until the enlarged boss on the rod comes through the key hole on the back of the machine. Slide the rod down the slot to latch the boss on the outside of the rear cover.
3. Move the parking brake lever to the "OFF" position. Roll the machine off the pallet.
4. The blade control linkage is set from the factory. Note that the bellcrank should almost touch (1/64" clearance) the engine plate weldment when the blade control lever is fully engaged. This will prevent clutch slippage when the blade is under load. Excessive clutch slippage will cause premature failure of the clutch mechanism.
5. Fill the engine with the proper grade of oil. See engine manual for oil specifications.
6. Read the operation and safety manual before starting. The operator manual is located in the tube on the front of the handle support.
7. Run the engine for 5 minutes before engaging the blade to ensure full lubrication.

## CONTROLS

### BLADE CONTROL LEVER (A)

Hold down the lever to engage the blade for cutting. Release the lever to disengage and stop the blade.

### TRACTION CONTROL LEVER (B)

Push the thumb lever down to go in the reverse direction. Pushing the lever further increases reverse speed.

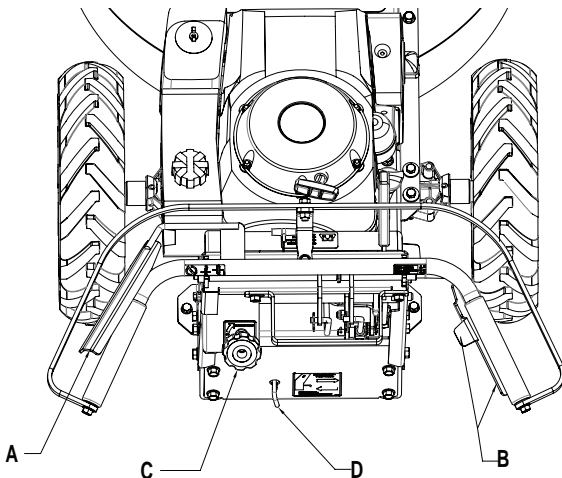
Pull the bottom lever up to move in the forward direction. Pulling the lever further increases forward speed to the maximum set by the Speed Adjustment Knob.

### SPEED ADJUSTMENT KNOB (C)

Turn the knob clockwise to decrease maximum speed. Turn the knob counterclockwise to increase maximum speed.

### FREE WHEEL ROD (D)

Pull the free-wheel rod until the enlarged boss comes through the keyhole on the rear engine deck cover, then slide the rod down the slot to latch it to free wheel or push the machine without the engine running. Raise the rod until the enlarged boss pops back behind the rear engine deck cover to engage the transmission.



### THROTTLE CONTROL (E)

Controls engine speed. Pushing the lever forward makes the engine speed go faster, while pulling the lever back slows down the speed of the engine. Pulling the lever all the way back stops the engine.

### ENGINE STARTER CORD (F)

Pull the cord to turn the engine over to start it. See operation section p. 12.

### PARK BRAKE (G)

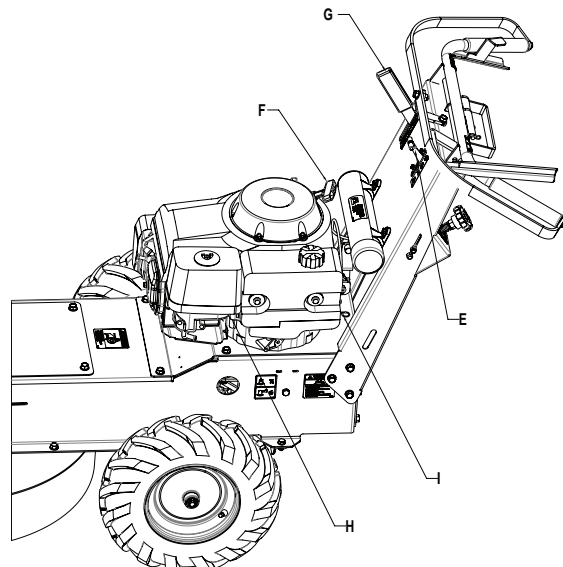
Pull lever up to engage the park brake. Push lever down to disengage park brake.

### FUEL VALVE (H)

Move to the "OFF" position to shut off the fuel whenever transporting the machine by trailer or truck or during storage. Move to the "ON" position before starting the engine.

### CHOKE (I)

Pull the choke control loop to the rear to engage the choke. Push the loop toward the engine to disengage the choke.

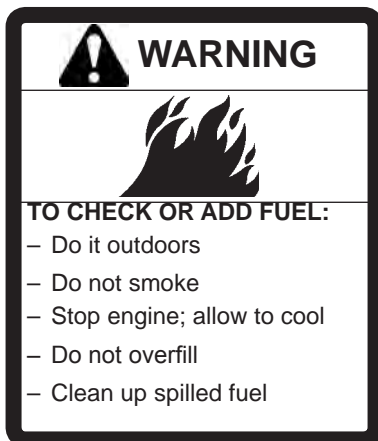


## PRE-OPERATION CHECK LIST OWNER'S RESPONSIBILITY

- Review and follow all safety rules and safety decal instructions.
- Check that all safety decals are installed and in good condition. Replace if damaged.
- Check to make sure all shields and guards are properly installed and in good condition.
- Check that all hardware is properly installed and secured.
- Check to be sure engine is free of dirt and debris. Pay particular attention to the cooling fins, governor parts and muffler. Clean air intake screen. Check air cleaner; service as necessary.
- Check all lubrication points and grease as instructed in manual.
- Inspect area and remove stones, branches or other hard objects that might be thrown, causing injury or damage.
- Check that there are no exposed underground utilities in the work area.

**FUELING-Gasoline is extremely flammable and highly explosive under certain conditions. BE SURE to install fuel cap after fueling.**

- Fill fuel tank with good quality, clean, unleaded regular petrol (gasoline) to the level recommended by the engine manufacturer.
- Use a funnel to avoid spilling.



## BEFORE STARTING THE ENGINE

- Read the operator manual and engine manual.
- Be familiar with all controls, how each functions and what each operates.
- Check the engine oil level and add if necessary. Follow the engine manufacturers recommendations per the engine manual supplied with the machine
- Open the fuel valve.
- **Choke:** For cold starts, set the throttle lever to the "CHOKE" position. For warm starts set the throttle to the half-open position.

## STARTING THE ENGINE

1. Pull the recoil starter to start the engine.
2. If the choke is "ON" when the engine starts, gradually back it off until the engine runs with no choke at all.

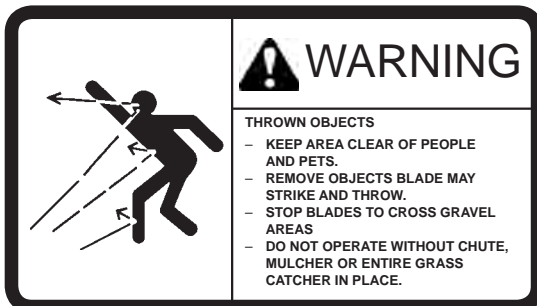
## MOVING THE UNIT

### TO MOVE THE UNIT WITHOUT THE BLADE RUNNING:

1. Do not engage the blade control lever.
2. Lift the free-wheel rod until the enlarged boss pops back behind the rear engine deck cover.
3. Set throttle to the desired engine speed.
4. Adjust the maximum travel speed with the Speed Adjustment Knob.
5. Disengage the Park Brake.
6. Pull or squeeze the forward / reverse lever on the right handlebar towards the handlebar to move the machine in a forward direction. The more the lever is squeezed the faster the machine will go, up to its maximum speed.
7. Push the thumb lever down to reverse. The farther the lever is pushed down the faster the machine will reverse, up to its maximum reverse speed.
8. Release the forward / reverse lever to stop the machine.

### TO MOVE THE UNIT WITHOUT RUNNING THE ENGINE:

1. Pull the free-wheel rod until the enlarged boss comes through the hole in the rear engine deck cover. Slide the rod down the slot to latch it in the free-wheel position..
2. Disengage the Park Brake.
3. Push the unit.



## CUTTING



### UNDERGROUND UTILITIES, ELECTROCUTION, EXPLOSION, SERVICE DISRUPTION RISK

Before beginning any work, check area for exposed utilities. Also check for anything that could cause damage to the machine or harm the operator. Do not operate where there is any risk of contacting exposed utilities. Thoroughly inspect the areas where the equipment is to be used and remove rocks, toys, wire and other debris that may be picked up and thrown by the machine.

1. Move the machine to the area where it is to be used. With the engine off, Park Brake on and the blade disengaged, check that the cutting height is at the desired height for the job.
2. Start the engine, then adjust the speed of the engine to full throttle. Make sure that the Freewheel rod is pushed in.
3. Engage the blade by holding down the blade control lever. Pull the speed lever on the right handle bar up to move the machine forward while holding down the blade control lever to cut.

## STOPPING OPERATION

1. Release the blade control lever to stop the blade.
2. Drive to level ground and release the traction drive to stop the machine.
3. Engage the park brake.
4. Stop the engine by moving the throttle control to the "OFF" position.

## TRANSPORT

Engage the parking brake when transporting the machine on a truck or trailer. Use tie down straps to secure the machine from moving during transport. Close the fuel valve during transport to prevent flooding should any dirt get under the carburetor float needle. Leaving the valve open can allow severe flooding which may ruin the engine by diluting the oil.

## MAINTENANCE



### WARNING

Stop the engine and remove spark plug wire before performing any maintenance.

When replacement parts are required, use genuine Schiller Grounds Care, Inc. parts or parts with equivalent characteristics, including type, strength and material. Failure to do so may result in product malfunction and possible injury to the operator and/or bystanders.

Carbon monoxide present in the exhaust is an odorless and deadly gas. Never start or run the engine where exhaust fumes can collect. Provide enough fresh air to keep fumes from getting too strong.

Replace any warning decals that become illegible immediately.

## DAILY MAINTENANCE

### Blade Control

To operate the blade, the blade control lever must be held down against the handle. The blade should stop when the lever is released.

### To Check:

1. Make sure the blade control linkage is adjusted correctly. This will prevent clutch slippage when the blade is under load. Excessive clutch slippage will cause premature failure of the clutch mechanism. To check that the blade control linkage is adjusted correctly, the bellcrank should almost touch (1/64" clearance) the engine plate weldment when the blade engagement lever is fully engaged. Adjust the effective length of the blade control linkage by turning the threaded rod in or out of the swivel connected to the bellcrank.
2. Start the engine and run at 1/2 throttle with the blade disengaged.
3. Engage the blade by holding in the Blade Control Lever. Release the Blade Control Lever and the blade should stop.
4. Repair the machine before using if the Blade Control does not work.

## BELTS

- Check condition of belts for damage or wear.
  - Replace broken, worn, or damaged belts.
1. Make sure the engine is off, spark plug is removed, and parking brake is engaged.
  2. Remove the four bolts **Q** securing the Blade belt cover **S**. (Figure 1)
  3. Remove any debris such as leaves, grass, sticks or other build up that might cause a fire or damage.
  4. Inspect the belt and pulleys for damage or wear that could cause problems. Replace damaged or worn parts with Schiller Grounds Care, Inc. parts.
  5. Replace blade belts and pulleys. See Blade Belt / Pulley Replacement instructions.

## HARDWARE

- Tighten any hardware (nuts, bolts, etc) that are found loose.
- Replace any broken or missing hardware (nuts, bolts, cotter pins, etc.).

## SHIELD PLATES

- Check condition of shield plates for damage or wear.
- Replace broken, worn, or damaged shield plates.

## TIRES

Tires are foam filled on models with bar treads. They have a valve stem, but CANNOT be aired. On units with pneumatic tires, maintain tires at 14 psi.

## ENGINE

See engine manual for air cleaner service intervals and servicing procedure.

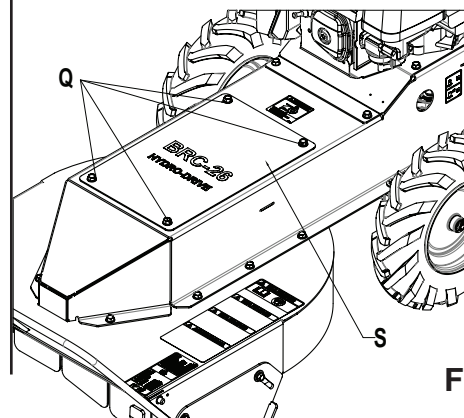


FIGURE 1



**BRUSH CUTTER**

**OIL**

Check oil level daily. Top off as needed.

Change engine oil after the first 5 hours of operation. Then change as recommended by the engine manufacturer.

1. Remove the drain plug and drain oil while engine is warm.
2. Replace the drain plug, remove dipstick and fill with new oil. See engine manual for oil specifications.
3. Wipe off any oil on unit.
4. Start and run engine for 30 seconds. Stop engine.
5. Wait 30 seconds, then re-check oil level.
6. Top off as necessary. See engine manual for details.

**BLADE**

**Service:**

Stop engine and remove spark plug wire before servicing blade.

Wear leather or thickly padded gloves to prevent injury from the blade. Keep hands clear of the blade path:

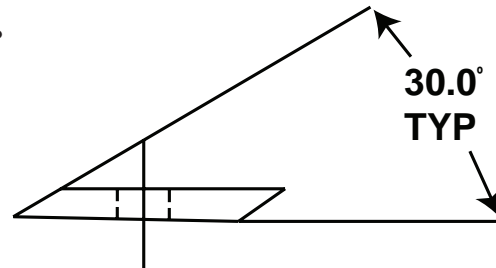
Use an impact wrench to remove the blade bolt **F**. If an impact wrench is not available; use a socket on a long breaker bar or a box wrench to loosen the blade bolt. If additional leverage is needed, slip a pipe or thick walled tube over the breaker bar or wrench.

- Check blade for damage.
- Replace broken, bent, cracked or otherwise damaged blade.
- Do not weld or straighten blade.
- If the blade is good, it may be turned over to use the second set of cutting edges.
- If all edges are dull, the blade may be sharpened or replaced.
- Use of another manufacturer's blades may be dangerous.

**Sharpening:**

Wear the appropriate personal protective equipment when sharpening the blade.

- Inspect the blade before sharpening..
- Replace broken, bent , cracked or otherwise damaged blade.
- Do not weld or straighten blade.
- Maintain cut angle of 30°.
- Do not over heat blades when sharpening.

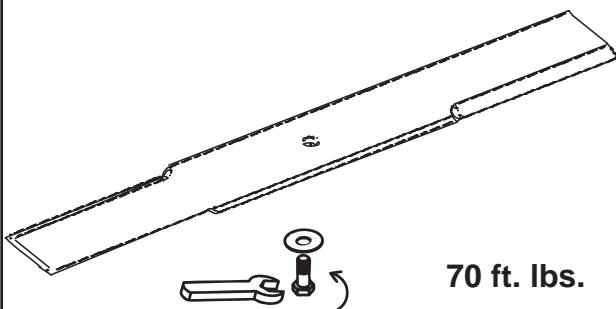
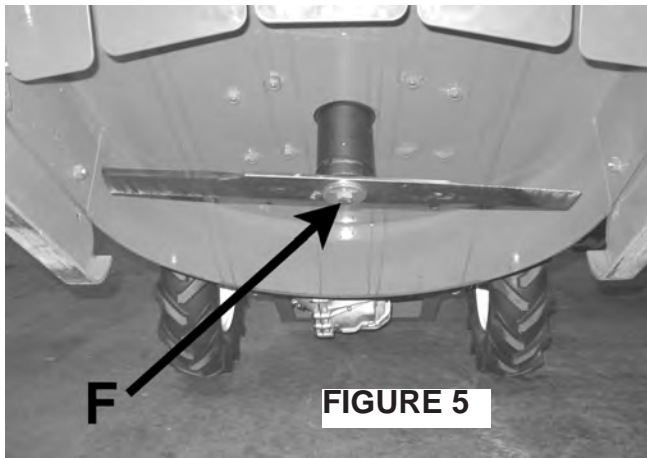


**Blade Balance:**

Maintain blade balance at 5/8 oz-in (19.4 g-cm) or less. Failure to keep blades balanced causes excess vibration, wear and shortened life of most components of the machine.

To balance a blade:

1. Sharpen blade first
2. Balance the blade at the center.
3. Attach a 1/8 oz. (3.9 g) weight at a distance of 5" (127mm) from center on the light end. This should make the light end the heavy end.
  - If it does, the blade is balanced.
  - If it does not, file or grind the heavy end until the addition of the weight makes the light end the heavy end.





## LUBRICATION

There are 6 grease fittings on the machine.

**A--Blade Spindle-** Grease 1 pump once a season.  
**CAUTION:** Do not over grease or the bearing seals can be popped out or crushed.

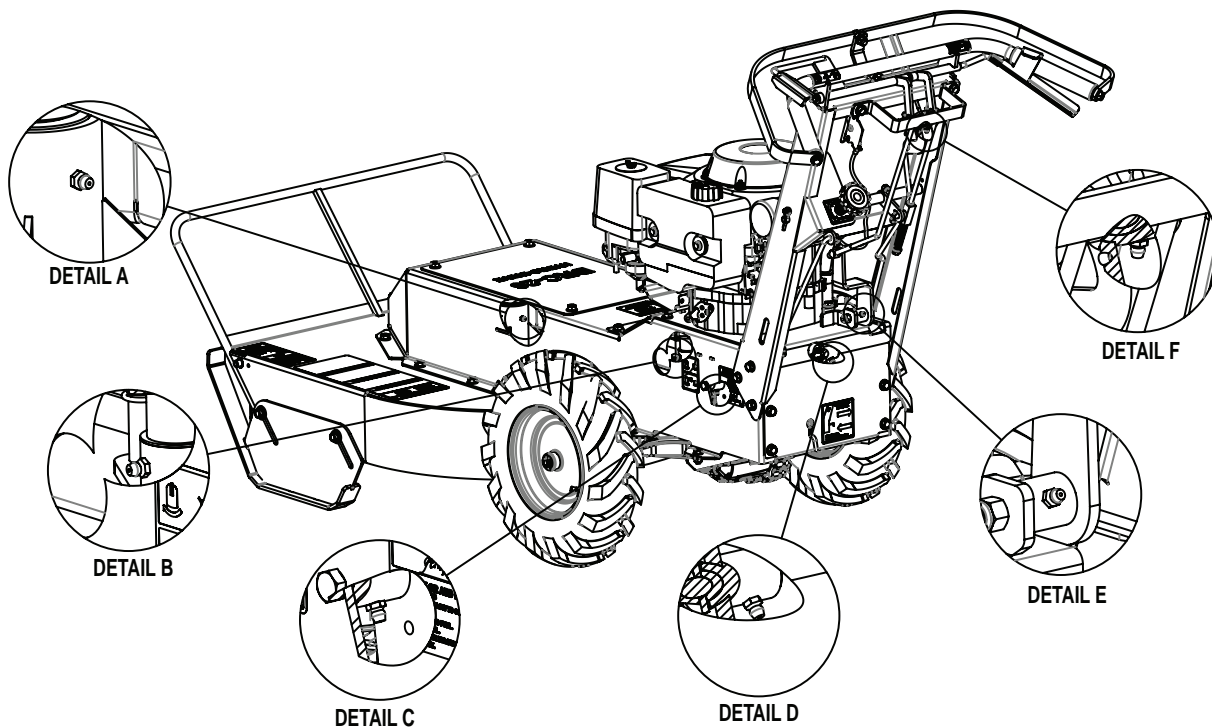
**B--Transaxle Idler Pivot-** Grease once a season.

**C--Brake Bellcrank-** Grease once a season.

**D--Traction Bellcrank-** Grease once a season.

**E--Clutch Pivot Blade--**Grease once a season.

**F--Park Brake Lever--**Grease once a season.



**BELTS**

Under tensioned V-belts can slip and squeal. This generates excess heat and results in cracking and premature belt failure. Over-tensioned belts reduce belt and bearing life.

Properly tensioning and aligning a belt drive will allow the belt drive to perform at it's maximum level.

**Stop the engine and remove the spark plug wire before making any belt adjustments.**

**Adjust belt tension after the first five hours of operation. Then tension as required.**

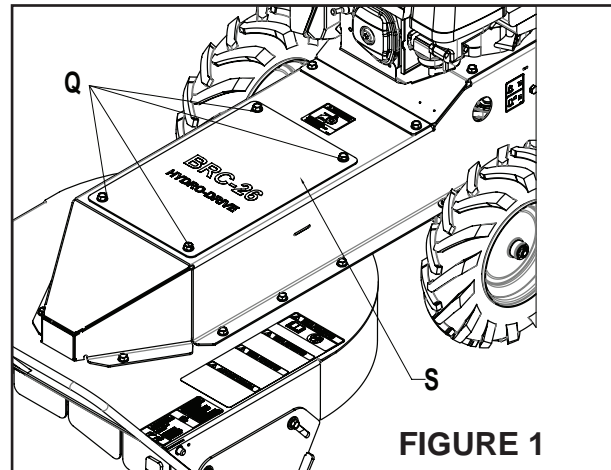
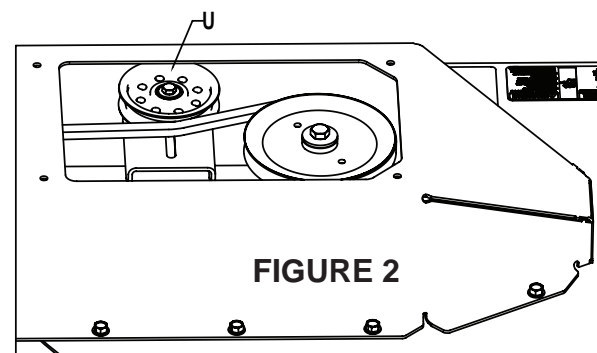
**BLADE BELT ADJUSTMENT**

There should be a maximum of 1/2" deflection with 5 lbs pressure in the middle of the non idler side of the belt.

1. Remove the four bolts **Q** holding the Blade belt cover **S** on. **(Figure 1)**
2. Loosen the bolt **U** holding the small pulley just enough to move the pulley back and forth. **(Figure 2)**
3. Slide the small pulley firmly against the belt and tighten bolt **U**. Check the tension and readjust if necessary.
4. Replace the Blade belt cover **S**.

**TRANSAXLE BELT ADJUSTMENT**

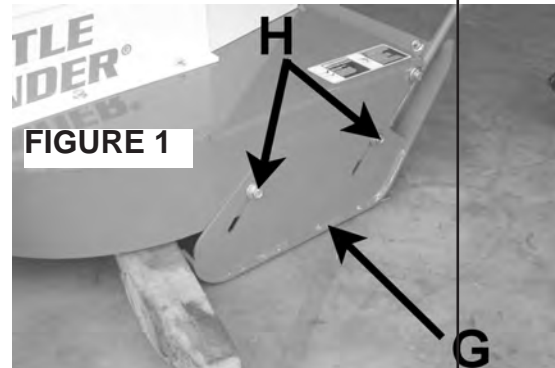
The belt has a spring loaded idler and does not require adjustment.

**FIGURE 1****FIGURE 2**

## BLADE HEIGHT ADJUSTMENT

Stop the engine and remove the spark plug wire before making any belt adjustments.

1. Place a block under the deck to securely hold it at the height desired.
2. Loosen the two bolts **H** holding the skid plates **G** on each side of the machine. **(Figure 1)**
3. Move the skid plates to sit as level as possible on the ground. Retighten bolts **H** and remove block.



## MAXIMUM TRAVEL SPEED ADJUSTMENT

1. To decrease maximum travel speed of the machine, turn the speed adjustment knob **A** clockwise. **(Figure 2)**
2. To increase maximum travel speed of the machine turn the speed adjustment knob **A** counter clockwise.

## LINKAGE ADJUSTMENTS

Stop the engine and remove the spark plug wire before making any belt adjustments.

### REVERSE:

Maximum reverse speed is limited by the traction bellcrank hitting a stop inside the main frame. **(Figure 2)**

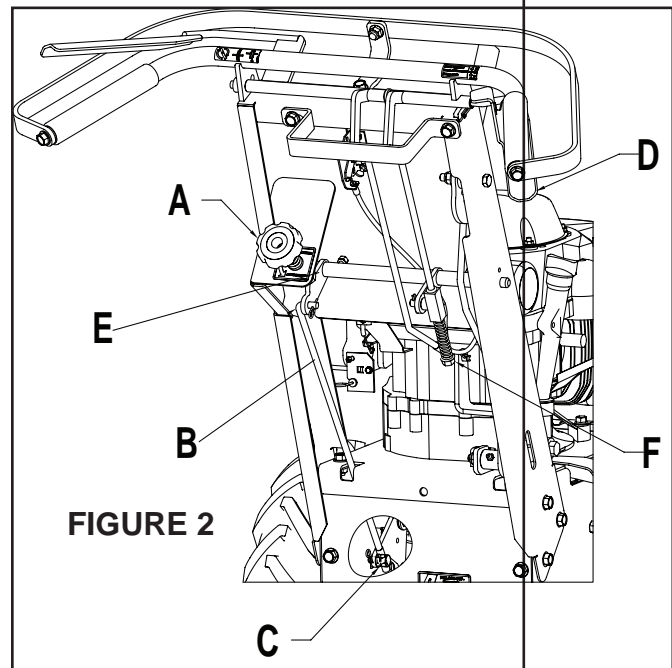
### FORWARD:

The traction control lever should just contact the handle at maximum speed.

To Adjust Forward Speed:**(Figure 2)**

1. Turn the Speed adjustment knob **A** all the way in the "fast" direction (counter-clockwise). Remove the hairpin cotter connecting the lower traction rod **B** to the lever on the traction cross shaft. Remove the rod from the cross shaft.
2. Pull up on the rod until all the travel of the linkage is used. Squeeze the traction lever to the handle. Adjust the rod by turning it in or out of the swivel **C** at the traction bellcrank until it just goes into the hole in the cross shaft lever **E**.
3. Reinstall the rod in the cross shaft lever and secure with the hairpin cotter from step 1.

The spring **F** on the traction linkage allows the traction lever to be squeezed to the handle when the speed control knob is set to less than maximum speed. If the preload on the spring is not sufficient, the nut may be tightened to compress the spring more.



## BLADE CONTROL LINKAGE

The effective length of the blade control rod may be adjusted by turning the rod **J** in or out of the swivel where it connects to the blade bellcrank **L**. **(Figure 4 next page)** Adjust the rod so the bellcrank almost touches (1/64" clearance) the engine plate weldment when the blade control lever is engaged (held to the handle). **(Figure 3)**

**BLADE CONTROL LINKAGE (cont.)**

It is important to adjust the blade control linkage correctly. This will prevent clutch slippage when the blade is under load. Excessive clutch slippage will cause premature failure of the clutch mechanism.

**PARKING BRAKE LINKAGE**

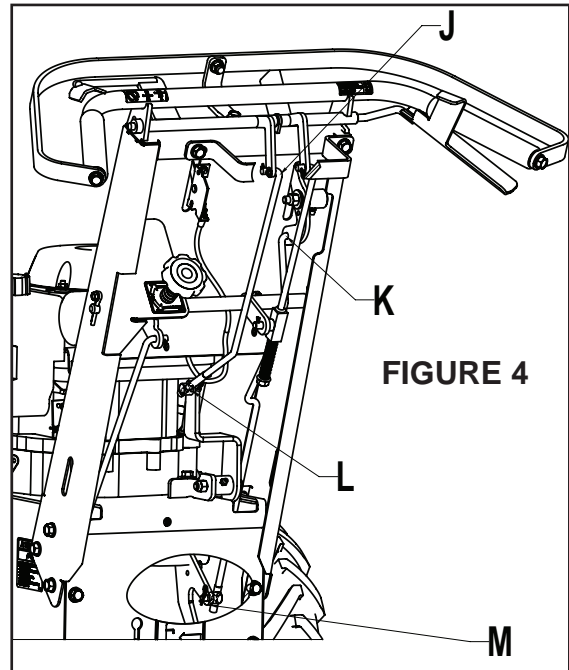
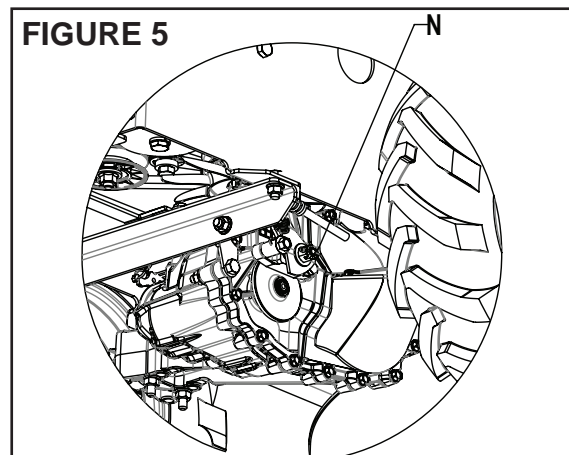
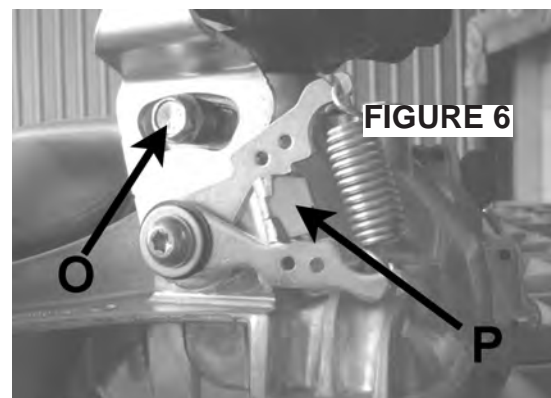
The parking brake linkage has a spring that applies force to the transaxle brake arm in the 'ON' position. There should be some space or free "play" in the brake linkage between the spring and the transaxle brake arm in the 'OFF' position. The brake lever should snap over center and lock in the engaged position.

1. Push and pull on the machine. The wheels should skid. If the wheels turn, disconnect the brake rod **K** at the brake lever and turn out of the swivel **M** below the engine deck 1 or 2 turns. Reconnect the brae rod and check the adjustment by pulling and pushing the machine again. Continue adjusting until the machine skids with the brake 'ON'. Be sure there is free 'play' in the 'OFF' position so the brake doesn't drag during operation. If a satisfactory adjustment has been made skip to step 4. **(Figure 4)**
2. If adjustment cannot be obtained that will lock the wheels with the brake 'ON' and maintain free 'play' in the 'OFF' position the brake may need to be adjusted. This adjustment will not normally be required.
3. Remove the cotter pin from the brake adjusting castle nut **N**. **(Figure 5)** Tighten the nut 1/6 of a turn at a time. Check the adjustment each time until the wheels lock up with the brake 'ON' and the linkage has free 'play' in the 'OFF' position. When a satisfactory adjustment has been found, reinstall the cotter pin to maintain the position of the castle nut.
4. Reinstall the brake rod to the brake lever and secure with hairpin cotter from step 1.

**DO NOT OVER ADJUST!** Over adjustment will cause brake drag resulting in excess heat and brake wear.

**TRANSAXLE NEUTRAL ADJUSTMENT**

1. The transaxle comes from the factory with the neutral position set. It should never require adjustment. If it needs adjustment, raise the rear of the machine and support it securely on jack-stands with the wheel off the ground.
2. Loosen bolt **O** on the transaxle. Start the engine.
3. Rotate plate **P** to the position where the wheels will no longer turn. Retighten bolt **O**. **(Figure 6)**

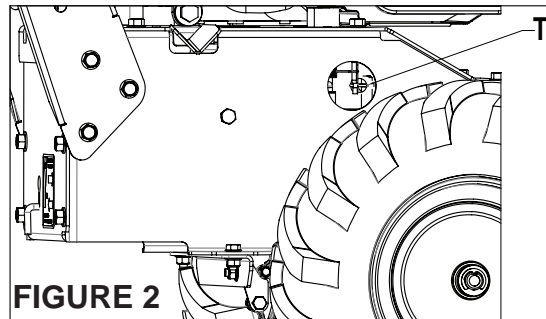
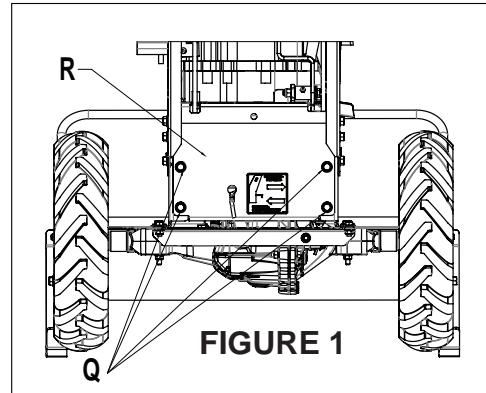
**FIGURE 4****FIGURE 5****FIGURE 6**

## BELT REPLACEMENT

Stop the engine and disconnect the spark plug wire before attempting to replace any belt.

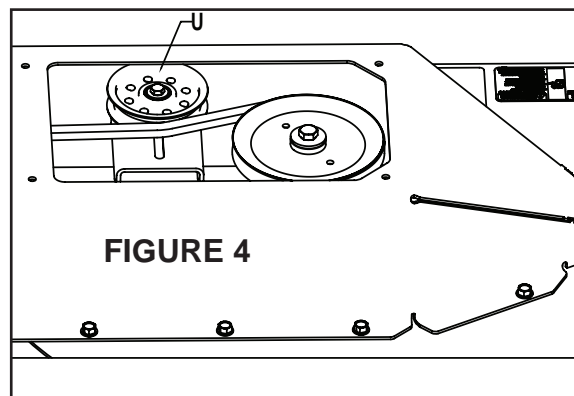
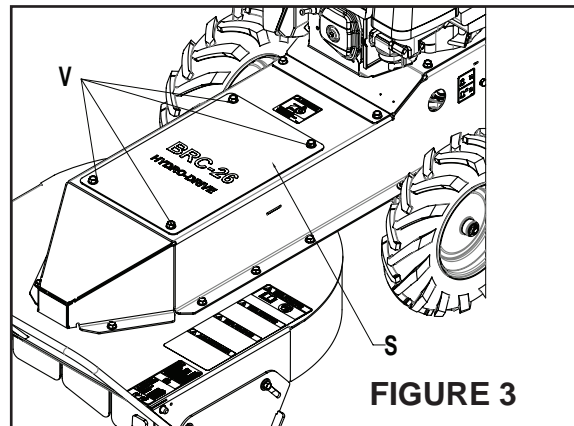
### TRANSAXLE BELT REPLACEMENT

1. Remove the four bolts **Q** holding the rear cover **R**. (Figure 1)
2. Reach through the access hole on the right side of the machine with a spring removal tool and remove the transaxle belt tensioning spring **T** to relieve the tension on the transaxle belt. (Figure 2)
3. Remove the transaxle belt.
4. Install the new transaxle belt.
5. Reconnect the transaxle belt tensioning spring **T**. Reinstall rear cover removed in step 1.



### BLADE BELT REPLACEMENT

1. Follow steps 1-3 in transaxle belt replacement section on this page.
2. Remove the four bolts **V** holding the blade belt cover **S** on. (Figure 3)
3. Loosen the bolt **U** securing the blade belt idler and slide the idler toward the side of the tunnel to loosen the belt. (Figure 4)
4. Remove the blade belt from the spindle pulley and from around the blade clutch. Install new belt.
5. Tension the new belt by pushing the idler firmly against the belt and tightening the bolt. There should be about 1/2" deflection at the center of the long span with 5 lbs. force.
6. Reinstall the top belt cover **S**.
7. Reinstall the transaxle belt and tensioning spring **T**.
8. Reinstall rear cover **R**.



# BRUSH CUTTER

## STORAGE

To prevent possible explosion or ignition of vaporized fuel, do not store equipment with fuel in tank or carburetor in an enclosure with open flame (for example, a furnace or water heater pilot).

## DAILY STORAGE

1. Stop the engine and engage the parking brake.
2. Check engine oil level and air filter element.
3. Close fuel valve located below air cleaner to keep fuel from draining into engine.
4. Remove any material stuck under the deck.

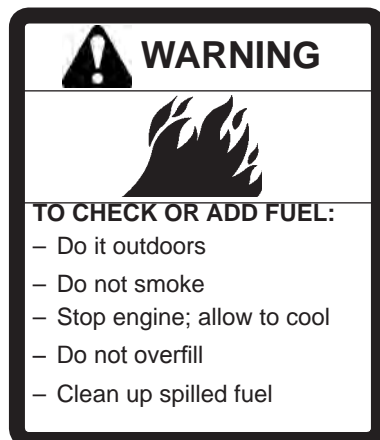
## EXTENDED STORAGE

**Before the equipment is put into storage for any period exceeding 30 days:**

1. Drain all fuel from the fuel tank and fuel lines.
2. Start the engine and run until all the fuel is used from the carburetor float bowl.
3. While the engine is still warm drain the oil. Refill with the proper weight oil corresponding to what the engine manual says.
4. Lubricate all lubrication points.
5. Clean and oil cutting blades to prevent rust.

**To put equipment into operation after an extended storage:**

1. Check for loose parts, tighten if necessary.
1. Fill fuel tank with clean fresh fuel.
2. Check oil level and add if necessary.
3. Check fuel lines and system for leaks. Repair any leaks before operating
4. Start the engine and proceed to operate for the intended use.





<b><i>TROUBLESHOOTING</i></b>	
<b><i>COMMON PROBLEMS</i></b>	<b><i>COMMON CAUSES</i></b>
<p><b>ENGINE WILL NOT START.</b></p> <p>(Check the Engine Manual for more details.)</p>	<ul style="list-style-type: none"> <li>• Refer to the section “Operation” in this manual to verify engine starting procedure.</li> <li>• Check the spark plug connection.</li> <li>• Check that throttle lever is set to the “FAST” position and the choke is “ON”.</li> <li>• Check the level of fuel</li> <li>• Check fuel valve is “ON”.</li> </ul>
<p><b>ENGINE STARTS BUT DOES NOT RUN PROPERLY OR HAS NO POWER.</b></p> <p>(Check the Engine Manual for more details.)</p>	<ul style="list-style-type: none"> <li>• Make sure the throttle lever is not set to the slow setting or the choke still in the “ON” position.</li> <li>• Turn the machine off and check the air filter. If it is dirty clean or replace it according to the Engine Manual.</li> <li>• Check the oil level in the engine. Add if necessary. If the oil is too full drain the oil to the proper level.</li> <li>• Check to make sure there is enough fuel. Also make sure the fuel is not old, dirty or the machine has not been stored beyond a month with the same fuel in it.</li> <li>• If the engine still has problems contact your dealer for service.</li> </ul>
<p><b>ENGINE HAS SMOKE COMING FROM IT.</b></p> <p>(Check the Engine Manual for more details.)</p>	<ul style="list-style-type: none"> <li>• Check to make sure the machine is not running on “CHOKE”</li> <li>• Check to make sure the oil is not overfilled.</li> <li>• Check the air filter for debris and clean if necessary.</li> <li>• Check the engine for debris build up around the exhaust system.</li> <li>• <b>MAKE SURE THE ENGINE HAS HAD THE PROPER TIME TO COOL BEFORE TOUCHING HOT PARTS.</b></li> <li>• If there is still smoke coming from the engine contact the nearest dealer for service.</li> </ul>
<p><b>ENGINE RUNS AND STARTS BUT THE MACHINE WILL NOT GO FORWARD OR IN REVERSE.</b></p>	<ul style="list-style-type: none"> <li>• Check that the free wheel lever is pulled out.</li> <li>• Make sure the parking brake is disengaged.</li> <li>• Check to make sure the direction lever is being pressed far enough down or pulled up to make the machine move.</li> <li>• With the engine off and brake engaged, check the transaxle belt is not broken or fallen off the pulley. Replace belt if necessary.</li> <li>• Make sure nothing is lifting the machine up off the wheels.</li> </ul>
<p><b>MACHINE IS DIFFICULT TO GET INTO REVERSE OR FORWARD.</b></p>	<ul style="list-style-type: none"> <li>• Check linkage for free operation.</li> </ul>
<p><b>THE BELT IS FRAYED OR KEEPS COMING OFF THE PULLEY.</b></p>	<ul style="list-style-type: none"> <li>• Check the pulley to make sure it is free from damage such as a nick or crack. If the pulley feels rough call a dealer for service and a replacement pulley.</li> <li>• Check the belt for wear and damaged spots. If there are signs of damage or wear on the belt, replace with the correct type of belt.</li> <li>• Check the belt tension. If V-belts are under tensioned, they can slip. Slippage generates heat and will result in cracking and belt failure. Properly tensioning and aligning a belt drive will allow the belt drive to perform at it’s maximum level. If belts are over-tensioned, belt and bearing life can be reduced.</li> <li>• If the belt and pulley appear to be in good condition, contact your dealer for service.</li> </ul>



<b><i>TROUBLESHOOTING (cont.)</i></b>	
<b><i>COMMON PROBLEMS</i></b>	<b><i>COMMON CAUSES</i></b>
<p>Extra vibration when engaging the blade.</p>	<p>Make sure the throttle lever is set to the “STOP” position, engine has stopped, parking brake is engaged and the blade has stopped spinning before checking blade.</p> <ul style="list-style-type: none"> <li>• Check for a broken or bent blade. DO NOT straighten blade. Replace bent or broken blade with a new Schiller Grounds Care, Inc. blade.</li> <li>• If the blade appears to be in good condition, check the bolt connecting the blade and verify that it is tightened and properly seated.</li> <li>• Remove blade and check blade balance</li> <li>• If the problem still persists then contact a local dealer for service.</li> </ul>
<p>The blade will not spin.</p>	<ul style="list-style-type: none"> <li>• Make sure the Blade lever on the left handle is being held down while the engine is on.</li> <li>• Stop the engine, disconnect the spark plug wire and engage the parking brake before checking. Check the condition of the blade belt. Reinstall, replace or retension as necessary. If the blade still doesn't operate, consult your dealer for service.</li> </ul>

# SPECIFICATIONS / WARRANTY BRUSH CUTTER

## **BRC-26 HYDRO SPECIFICATIONS**

<b>Engine:</b>	Honda GVX 390	Briggs & Stratton Intek
<b>Displacement:</b>	389cc	344cc
<b>Fuel Capacity:</b>	2.2 quarts	2.8 quarts
<b>Oil Capacity:</b>	1.2 quarts	1.5 quarts
<b>Transmission:</b>	Hydro-Gear T2	
<b>Speed:</b>	Forward: 0 to 4 mph Reverse: 0 to 2mph	
<b>Tire Size:</b>	4.80 X 8.0 Bar tread pattern solid foam filled	4.80 X 8.0 Knobby w/ sealant
<b>Cut Width:</b>	26"	
<b>Cut Height:</b>	3" to 5"	
<b>Operating Weight:</b>	365 lbs	334 lbs
<b>Length:</b>	78"	
<b>Width:</b>	32"	
<b>Height:</b>	41"	
<b>Maximum Operating Slope:</b>	20° Front to back and side to side	
<b>Emissions:</b>	50 states certified by Honda and Briggs & Stratton	

### 2 YEAR LIMITED SERVICE & WARRANTY POLICY FOR GASOLINE POWERED BRUSH CUTTER

All **Little Wonder** Gasoline Powered Brush Cutters are guaranteed against defects in material and workmanship, under normal usage, for a period of TWO YEARS from the date of purchase, under the following terms:

Any **Little Wonder** Gasoline powered Brush Cutter or part found to be defective within the warranty period is to be returned to any registered **Little Wonder** dealer.

Engines for all gasoline powered products are warranted separately by the engine manufacturer. Therefore, there are no warranties made, expressed or implied, for engines for gasoline power products by **Little Wonder**.

Transportation charges for parts and units submitted for replacement under this warranty must be borne by the purchaser.

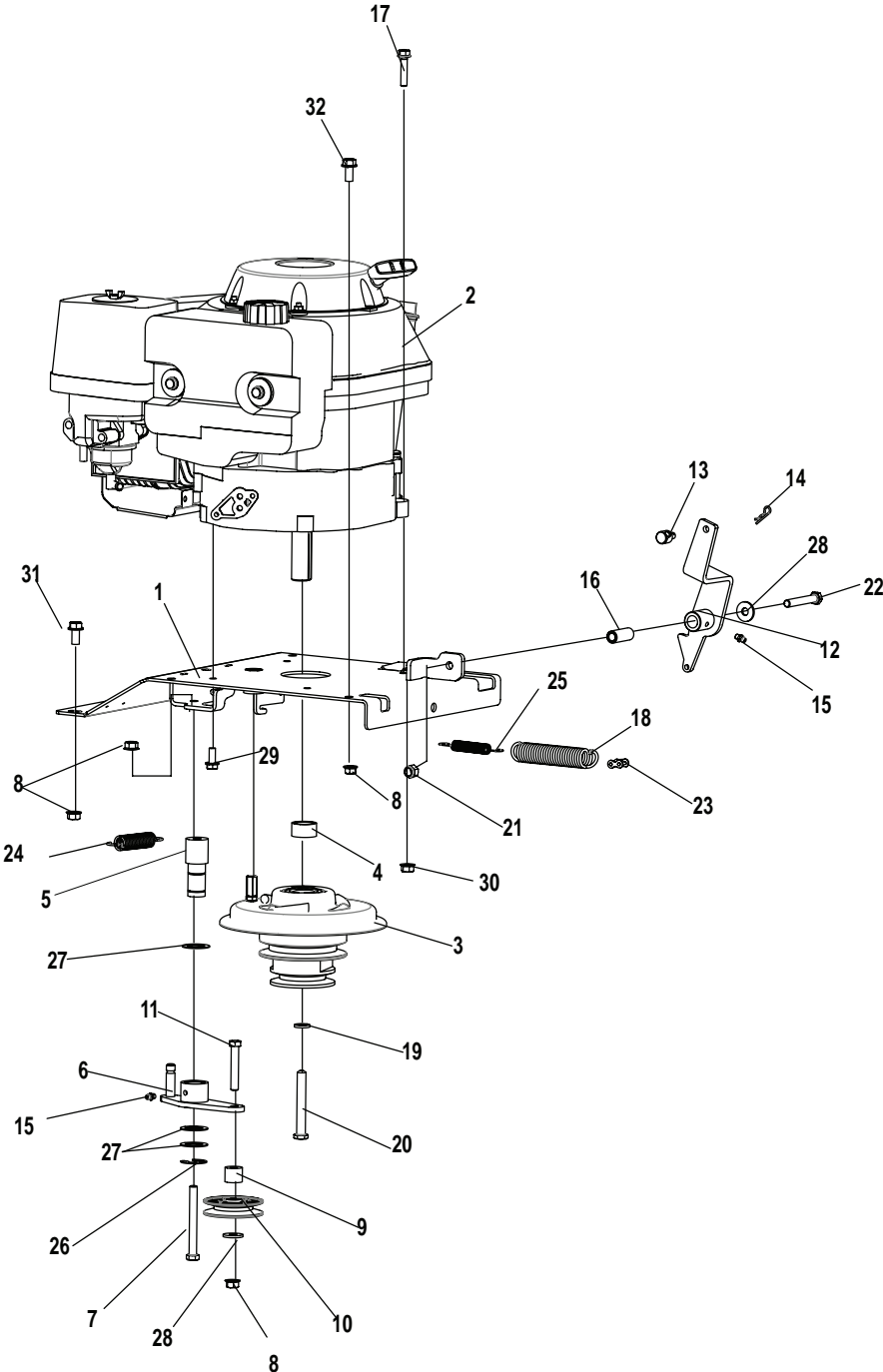
THIS WARRANTY covers manufacturing defects only and does not cover defects resulting from misuse, abuse, negligence, improper handling, care or maintenance, normal wear and tear or non-observance of operating, maintenance or installation instructions, or accident, or if the product has been repaired or altered outside our factory or authorized repair facility in any respect which affects its condition.

**Little Wonder's** liability is limited to repair or replacement of the defective product or part at our sole discretion. All other liabilities, in particular, liability for damages, including without limitation consequential, special or incidental damages are excluded.

THIS WARRANTY IS IN LIEU OF ALL OTHER WARRANTIES, EXPRESSED OR IMPLIED, INCLUDING ANY IMPLIED WARRANTY OF MERCHANTABILITY OR FITNESS FOR A PARTICULAR PURPOSE. NO EMPLOYEE, REPRESENTATIVE OR DEALER IS AUTHORIZED TO CHANGE THIS WARRANTY IN ANY WAY OR TO GRANT ANY OTHER WARRANTY.

# **PARTS SECTION**

FIGURE 1



## BRUSH CUTTER

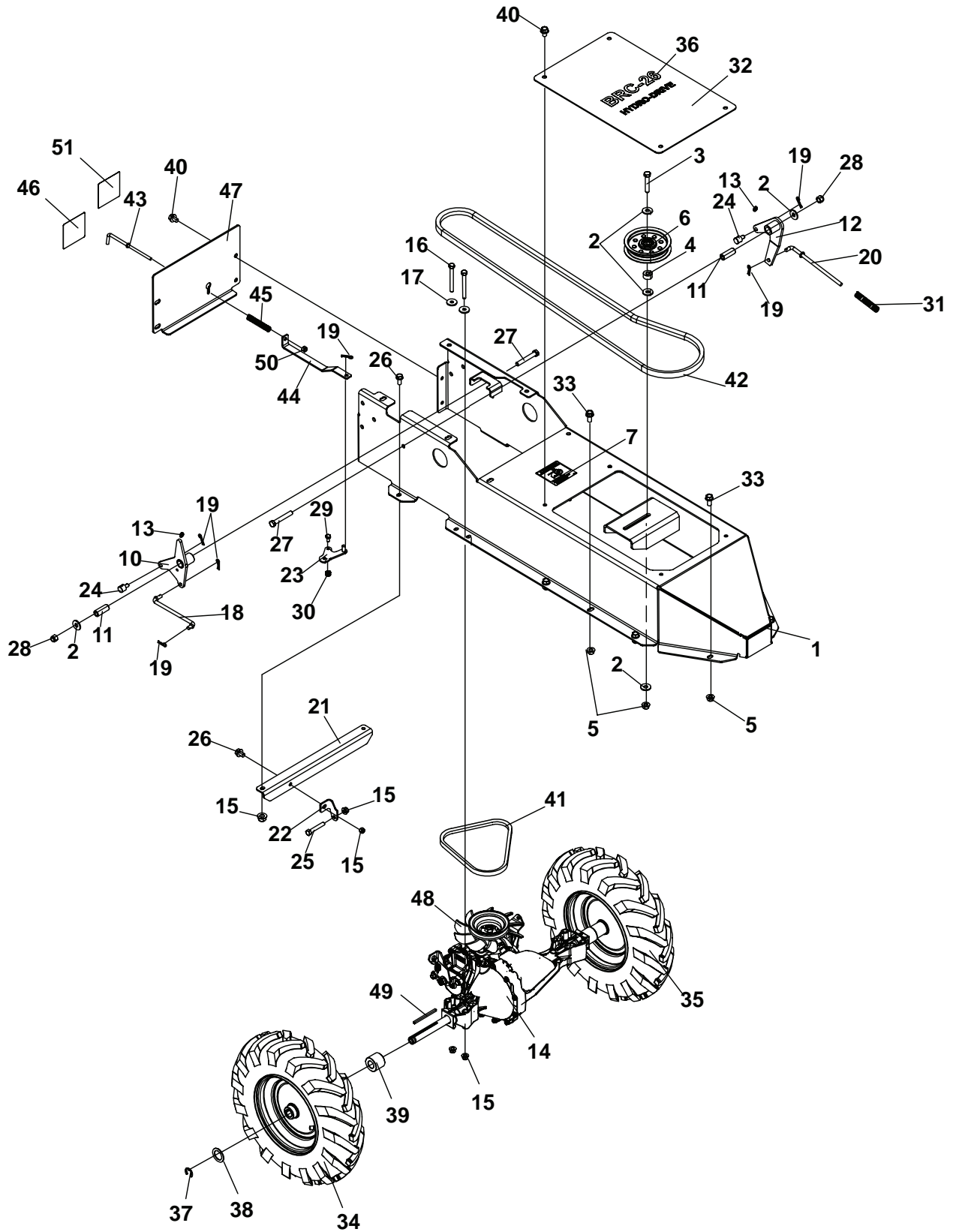
FIGURE 1

ITM	PART NO.	DESCRIPTION	QTY	ITM	PART NO.	DESCRIPTION	QTY
1	4167822.10	WLDMT-ENGINE PLATE	1				
2	C100589	ENGINE-HONDA 13HP W/ TANK (USED ON HONDA MODELS)	1				
	4167558	ENGINE-B&S INTEK 12.5HP (USED ON B&S MODELS)					
3	4179159	S-BRAKE CLUTCH ASSEMBLY	1				
4	4167078	SPACER-CLUTCH	1				
5	4116712	PIN-PIVOT	1				
6	4167419.7	WLDMT-DRIVE IDLER	1				
7	64123-171	BLT-HEX 3/8-16X3-1/2	1				
8	64141-4	NUT-WLF 3/8-16	8				
9	33030-09	IDLER-BUSHING	1				
10	4167427	PULLEY-V IDLER 3"DIA,NYLON	1				
11	64123-100	BLT-HEX 3/8-16 X 2-1/4	1				
12	4169318.17	WLDMT-BLADE BELLCRANK	1				
13	33103	SWIVEL	1				
14	64168-2	COTTER-HAIRPIN .08X1.19	1				
15	85010N	ZERK-1/4-28 STR SELF THREAD	2				
16	4167400	BUSHING-PIVOT	1				
17	64262-009	BLT-FLG HD 5/16-18 X 1-1/2					
		QTY 2 ON HONDA MODELS					
		QTY 4 ON B&S MODELS					
18	C100610	SPRING, CLUTCH BRAKE	1				
19	64006-06	LOCKWSHR-7/16 HELICAL	1				
20	64123-291	BLT-HEX 7/16-20X3-1/4	1				
21	64229-03	NUT-NYLON LOCK 3/8-16	1				
22	64123-82	BLT-HEX 3/8-16 X 2-1/2	1				
23	4165989	LINK-MASTER #2040	1				
24	38219	SPRING-TENSION	1				
25	4167065	SPRING-CLUTCH RETURN	1				
26	64221-04	E-RING .875	1				
27	64163-65	WASHER-.531 x 2.00 x .125	3				
28	64163-31	WASHER-.531 x 2.00 x .125	3				
29	64139-01	BLT-WLF 5/16-24 X 3/4	2				
		(HONDA MODELS ONLY)					
30	64268-02	NUT-FL NYLON LOCK 5/16-18					
		(QTY 2 ON HONDA MODELS)					
		(QTY 4 ON B&S MODELS)					
31	64139-21	BLT-WLF 3/8-16 X 3/4	6				

# MAIN FRAME ASSEMBLY

# BRUSH CUTTER

FIGURE 2



# BRUSH CUTTER

# MAIN FRAME ASSEMBLY

## FIGURE 2

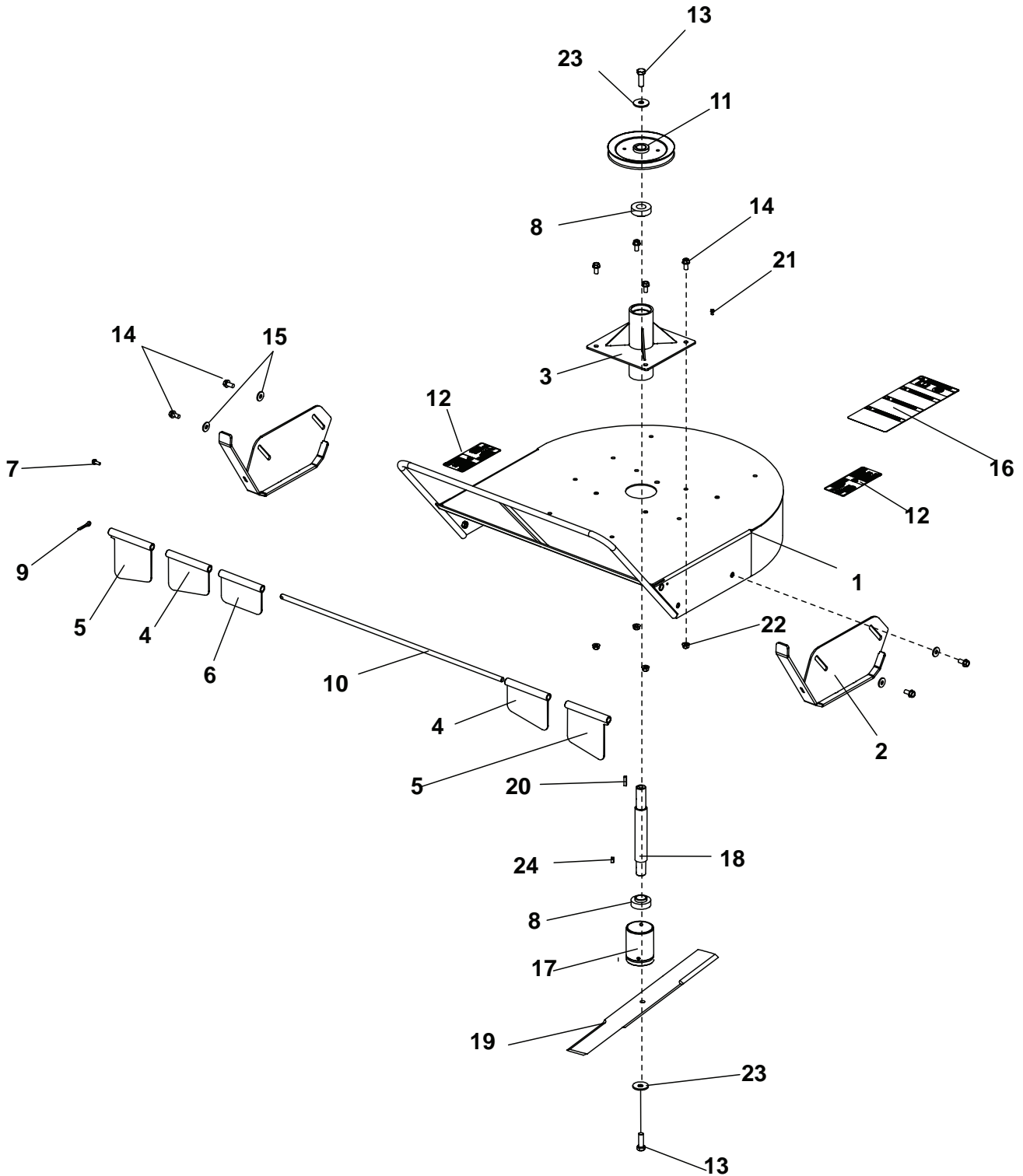
ITM	PART NO.	DESCRIPTION	QTY	ITM	PART NO.	DESCRIPTION	QTY
1	4167871	S-ENGINE DECK	1				
2	64163-31	WASHER-.531 x 2.00 x .125	5	36	4167539	DECAL-BRC26	1
3	64123-67	BLT-HEX 3/8-16 X 2	1	37	64221-08	E-RING .750	2
4	33030-07	IDLER BUSHING	1	38	64163-64	WASHER-.531 x 2.00 x .125	2
5	64141-4	NUT-WLF 3/8-16	9	39	C300150	SPACER-1.5OD X .765ID X 1.223	2
6	2308000	PULLEY-IDLER 4.00 EOD	1			(USE ON B&S MODEL)	
7	2000577	DECAL, "ROTATING PARTS"	1		4167226	SPACER-1.5OD X .765ID X .370	2
8	2000570	DECAL-EXPLOSIVE FUEL	1			(USED ON HONDA MODELS)	
9	4167101	DECAL-FUEL SHUT-OFF	1				
10	4167399.7	WLDMT-BELLCRANK	1	40	64197-016	BLT-TDFM 3/8-16X1/2	8
11	4167400	BUSHING-PIVOT	2	41	4167426	BELT-WHEEL DRIVE	1
12	4167451.7	WLDMT-BRAKE BELLCRANK	1	42	4167604	BELT-BRUSHCUTTER BLADE	1
13	85010N	ZERK-1/4-28 STR SELF THREAD	2	43	4148697	ROD-PULL FREEWHEEL	1
14	C100585	TRANSAXLE-BRUSHCUTTER	1	44	4167410.7	LINK-FREE WHEEL	1
15	64268-02	NUT-FL NYLON LOCK 5/16-18	11	45	2720544	SPRING-COMPRESSION	1
16	64123-55	BLT-HEX 5/16-18 X 3	4	46	4167524	DECAL-ENGINE TRANSMISSION	1
17	64163-29	WASHER-21/64 X 1 X 11GA	6	47	4167870	S-COVER BACK	1
18	4167390	LINK-TRANSAXLE	1	48	4167164-01	S-FAN, TRANSAXLE	1
19	64168-2	COTTER-HAIRPIN .08X1.19	6	49	64164-41	KEY-3/16 X 3 SQ	2
20	4167522	ROD-BRAKE LOWER	1	50	64268-01	NUT-FL NYLOC 1/4-20	1
21	4167487.7	BAR-CROSS	1	51	4173329	LABEL-BLADE CNTRL LNKG	1
22	4167488.7	BRKT-TORQUE	1				
23	4167405.7	WLDMT-FREE WHEEL LEVER	1			<b>*NOT ILLUSTRATED</b>	
24	33103	SWIVEL	2				
25	64123-56	BLT-HEX 5/16-18X2	1				
26	64262-006	BLT-FLG HD 5/16-18 X 3/4	6				
27	64123-82	BLT-HEX 3/8-16 X 2-1/2	2				
28	64229-03	NUT-NYLON LOCK 3/8-16	2				
29	64123-89	BLT-HEX 1/4-20X3/4	1				
30	64229-01	NUT-NYLON LOCK 1/4-20	1				
31	2188139	SPRING-COMPRESSION	1				
32	4167599.10	COVER-BELT	1				
33	64139-21	BLT-WLF 3/8-16 X 3/4	8				
34	4167225	ASSY-WHEEL 4.8 X 8 BAR (USED ON HONDA MODELS)	1				
	4167882	ASSY-WHEEL 4.8 X 8 X TRAC RH (USED ON B&S MODELS)					
35	4167225	ASSY-WHEEL 4.8 X 8 BAR (USED ON HONDA MODELS)	1				
	4167883	ASSY-WHEEL 4.8 X 8 X TRAC LH (USED ON B&S MODELS)					



# CUTTERDECK ASSEMBLY

# BRUSH CUTTER

FIGURE 3



BRUSH CUTTER

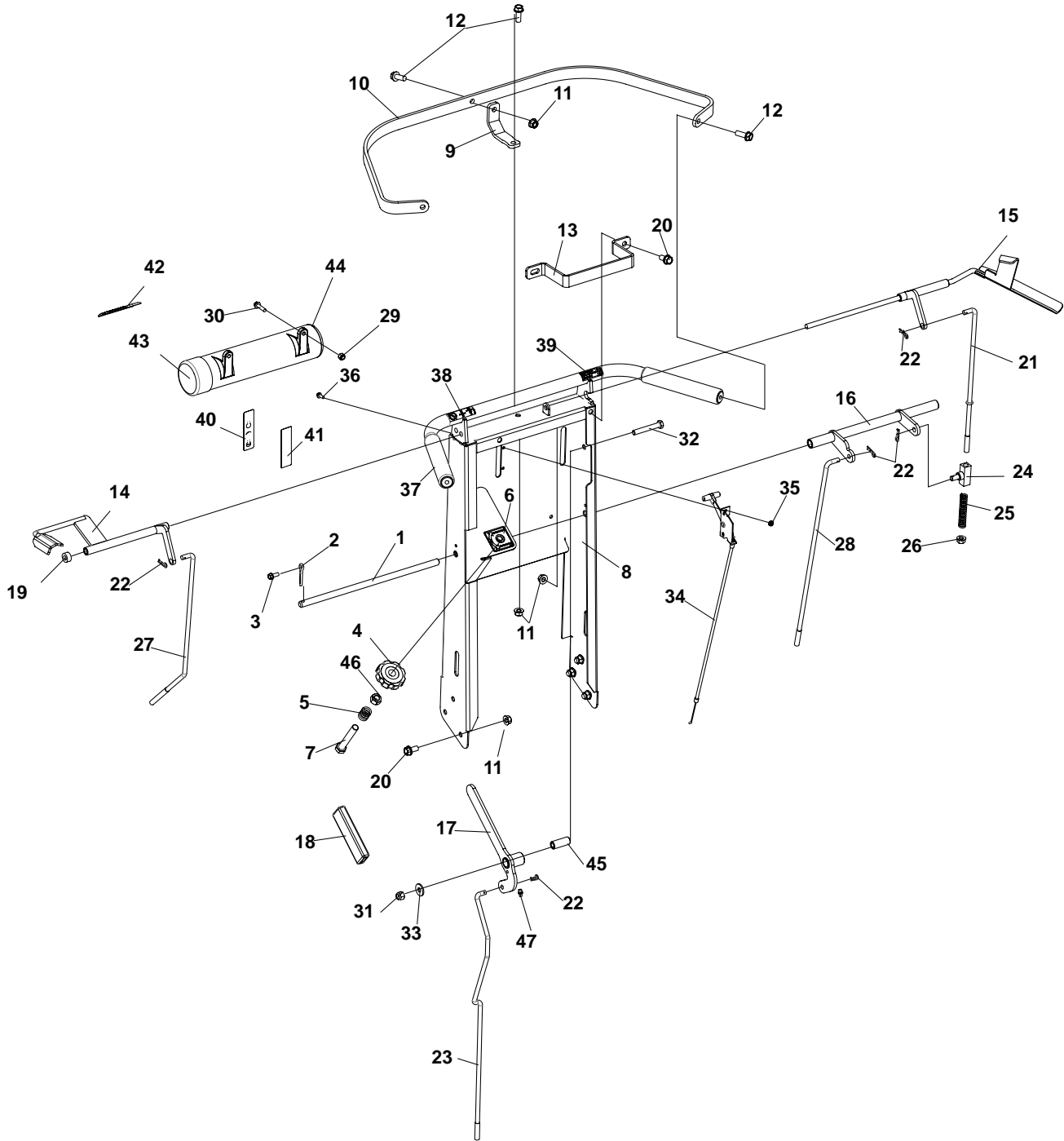
FIGURE 3

ITM	PART NO.	DESCRIPTION	QTY	ITM	PART NO.	DESCRIPTION	QTY
1	4167566	WLDMT-CUTTER DECK	1				
2	4167379.17	WLDMT-SKID SHOE	2				
3	4167431.7	WLDMT-HSG BLADE SPINDLE	1				
4	4167532.17	WLDMT-FLAP,INNER 26	2				
5	4167531.17	WLDMT-FLAP,OUTER 26	2				
6	4167533.17	WLDMT-FLAP,CENTER 26	1				
7	64197-025	BLT-TDFM 1/4-20X5/8	1				
8	4167554-01	BEARING-1" SPINDLE	2				
9	64140-18	COTTER PIN-1/4-1	1				
10	4167538	ROD-FLAP SUPPORT 26	1				
11	4167259	PULLEY-7IN DIA 1IN BORE	1				
12	4164269	LABEL-WARNING THRN OBJ.	2				
13	64123-05	BLT-HEX 1/2-20 X 1-1/2	2				
14	64139-21	BLT-WLF 3/8-16 X 3/4	8				
15	64163-31	WASHER-.531 x 2.00 x .125	4				
16	4166628	DECAL, "WARNING"	1				
17	4167486.7	WLDMT-BLADE HUB	1				
18	4167483	SHAFT-BRUSHCUTTER	1				
19	C100584-01	BLADE-BRUSHCUTTER,26 IN	1				
20	64164-12	KEY-1/4X1 SQ	1				
21	85010N	ZERK-1/4-28 STR SELF THREAD	1				
22	64141-4	NUT-WLF 3/8-16	4				
23	64209-14	WSHR-CON. SPRING .531X1.625	2				
24	64164-46	KEY-SQUARE 1/4 X .5 ROUND	1				

# HANDLE ASSEMBLY

# BRUSH CUTTER

FIGURE 4



## BRUSH CUTTER

FIGURE 4

ITM	PART NO.	DESCRIPTION	QTY	ITM	PART NO.	DESCRIPTION	QTY
1	4167387	BAR-TRACTION IDLER PIVOT	1	38	4167546	DECAL-LEFT THUMB	1
2	64140-18	COTTER PIN-1/4-1	1	39	4167547	DECAL-RIGHT THUMB	1
3	64197-025	BLT-TDFM 1/4-20X5/8	1	40	4167525	DECAL-THRTTL SPEED (HONDA)	1
4	C400174	KNOB-1/2 IN	1		4167573	DECAL-THRTTL SPEED (B&S)	
5	C500065	SPRING-SPEED STOP	1				
6	C100524	DECAL-SPEED CONTROL	1	41	4167548	DECAL-PARK BRAKE	1
7	64123-293	BLT-HEX 1/2-13 X 3-1/2 FLTHRD	1	42	2000735	LABEL-OPER MAN	1
8	4167569	WLDMT-HANDLE (HONDA)	1	43	38061A	CAPS VINYL	1
	4167908	WLDMT-HANDLE (B&S)		44	4129802	TUBE-DOCUMENT	1
				45	4167400	BUSHING-PIVOT	1
9	C300185.17	BRACE-HANDLE GUARD	1	46	64025-19	NUT-1/2-13 HEX	1
10	C400277.17	HANDLE GUARD	1	47	85010N	ZERK-1/4-28 STR SELF THREAD	1
11	64141-4	NUT-WLF 3/8-16	10				
12	64139-24	BLT-WLF 3/8-16 X 1	4				
13	C400273.17	GUARD-LINK	1				
14	4167441.17	WLDMT-LEVER, BLADE CNTRL	1				
15	4167444.17	WLDMT-TRACTION LEVER	1				
16	4167448.17	WLDMT-TRACTION IDLER LINK	1				
17	4167570	WLDMT-BRAKE LEVER	1				
18	2188155	GRIP-1/4 X 1 X 4-1/2	1				
19	48428	COLLAR SET .38	1				
20	64139-21	BLT-WLF 3/8-16 X 3/4	8				
21	4167456	ROD-UPPER TRACTION	1				
22	64168-2	COTTER-HAIRPIN .08X1.19	5				
23	4167458	ROD-BRAKE	1				
24	4167472	WLDMT-PLUNGER	1				
25	2188139	SPRING-COMPRESSION	1				
26	64268-03	NUT-FL NYLON LOCK 3/8-16	1				
27	4169319	ROD-BLADE	1				
28	4167474	ROD-TRACTION LOWER	1				
29	64229-01	NUT-NYLON LOCK 1/4-20	2				
30	64262-003	BLT-FLG HD 1/4-20 X 1	2				
31	64229-03	NUT-NYLON LOCK 3/8-16	1				
32	64123-82	BLT-HEX 3/8-16 X 2-1/2	1				
33	64163-31	WASHER-.531 x 2.00 x .125	1				
34	4167549-01	CABLE-THROTTLE (HONDA)	1				
	4167549-02	CABLE-THROTTLE (B&S)					
35	64025-15	NUT-HEX #10-24 KEPS	2				
36	64152-46	SCREW-SLT HH 10-24X1/2	2				
37	C100261	FOAM HANDLE GRIP	2				

*SCHILLER GROUNDS CARE, INC.  
ONE BOB-CAT LANE  
P.O. BOX 469  
JOHNSON CREEK, WI 53038  
920-699-2000  
[www.schillergc.com](http://www.schillergc.com)*

